

HBL2311SW -- Twist-Lock Watertight Safety-Shroud Plug



2P3W, 20A 125V, L5-20P, Black & White Thermoplastic Polyester

Product Specifications

Product Type	 <p>Twist-Lock Devices</p>
Product Item	Plug
Wiring Scheme	2 Pole, 3 Wire Grounding
Amperage	20A
Voltage	125V AC
NEMA Configuration	L5-20P
Item Style	Shrouded Watertight
Device Color	Black/White
Horsepower	1
Cord Dia.	.360"-.930" (9-24)
Blade Holder Material	Natural White Nylon
Terminal Retainer Material	Clear polycarbonate
Housing Material	Impact modified PBT
Cord Clamp Material	Impact modified PBT

Blade Material	Brass
Terminal Clamp Material	.08" (2) steel-nickel plated
Terminal Screw Material	#10-32 Brass (white finish on neutral screw when used) Multi-drive
Ground Screw Material	#10-32 Brass (green finish) Multi-drive
Cord Clamp Screw Material	Stainless steel, Multi-drive
Body Holding Screw Material	Stainless steel, Multi-drive
Ratings	Molded into face
Catalog No.	Permanently ink marked on product
Dielectric Voltage Withstand	2,000V minimum
Current Interrupting	Certified for current interrupting at full rated current.
Temperature Rise	Max 30 C temperature rise at full rated current after 50 cycles of overload at 150% of rated current at a power factor of .75.
Cord Accommodation	Round portable service cords of diameters commensurate with the device rating as defined in UL Standard 62, CSA C22.2 No. 49.
Terminal Accommodation	20A #12 AWG
Terminal Identification	Terminals identified in accordance with UL 498 (X, Y, Z, White, Green)
Flammability	VO per UL94 or CSA 22.2 No. 0.6
Operating Temperatures	Maximum Continuous 75 C Minimum -40 C (w/o impact)
Moisture Resistance	Type 4, 4X, 12, IP66 suitability
Closure Cap and Strap Material	Neoprene EPDM Blend
Safety-Shroud Material	White Valox
Listings	FED SPEC UL/CSA
Feature Info	Black Valox housing, White Valox clamps.
M Drawings	Click here for M-Drawing
Catalog Page	Click here for catalog page B23
Brochures	Click here for product brochure
Hubbellnet	Click here for Hubbellnet
Catalog Section	Click here for Section-B
UPC Number	78358523102
Weight in LBs	0.6

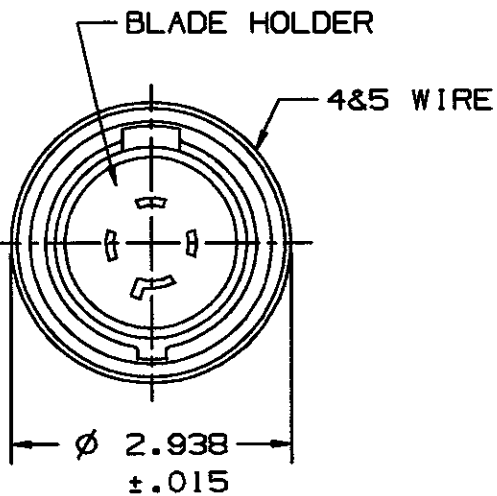
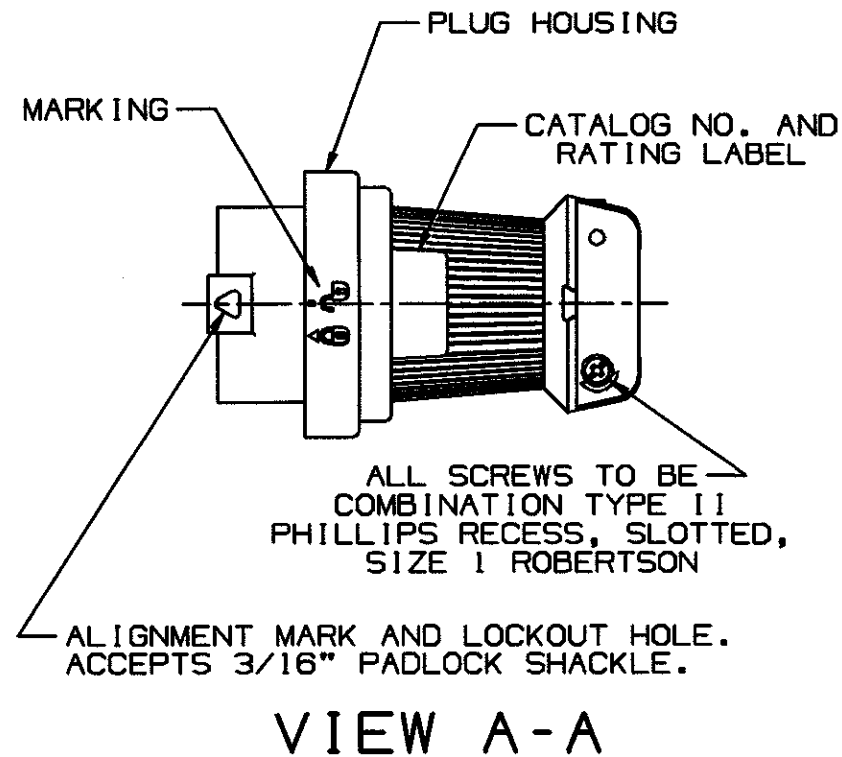
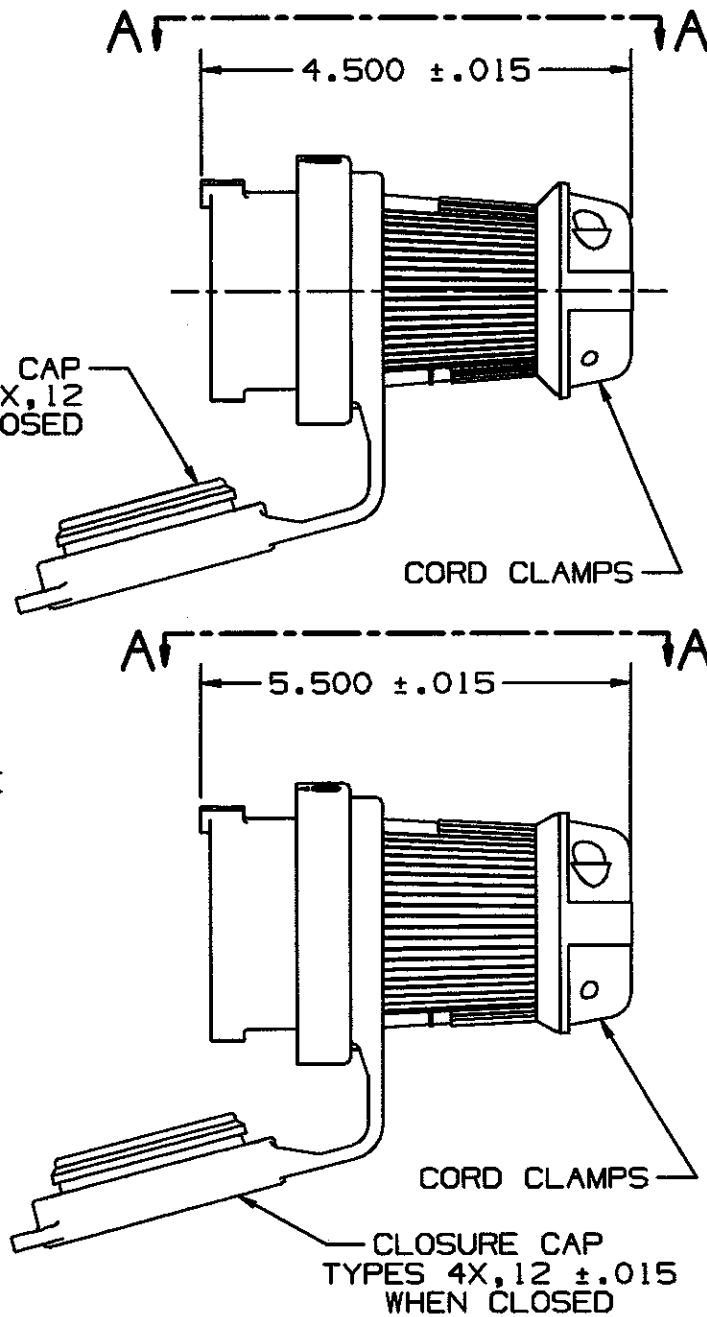
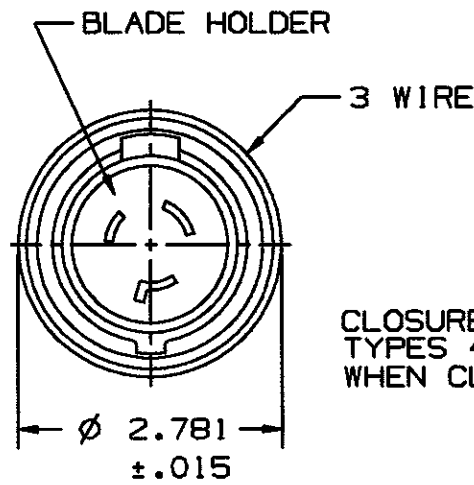


NEMA L5-20P
20A 125V
UL/CSA
1 HP

NEMA
Configuration



M-7318 4



	PLUG ¹	CONFIGURATION RATING	MATING CONNECTOR ²	MATING RECEPTACLE ²	MATING NEMA CONNECTOR ³		IEC COLOR CODE
	CATALOG #		CATALOG #	CATALOG #	NEMA #	HUBBELL #	
3 WIRE	HBL2311SW	20A 125V	HBL2313SW	HBL2310SW	L5-20R	2313	YELLOW
	HBL2321SW	20A 250V	HBL2323SW	HBL2320SW	L6-20R	2323	BLUE
	HBL2331SW	20A 277VAC	HBL2333SW	HBL2330SW	L7-20R	2333	GRAY
4 WIRE	HBL2411SW	20A 125/250V	HBL2413SW	HBL2410SW	L14-20R	2413	ORANGE
	HBL2421SW	20A 250V 3Ø	HBL2423SW	HBL2420SW	L15-20R	2423	BLUE
	HBL2431SW	20A 480V 3Ø	HBL2433SW	HBL2430SW	L16-20R	2433	RED
5 WIRE	HBL2511SW	20A 120/208V 3ØY	HBL2513SW	HBL2510SW	L21-20R	2513	BLUE
	HBL2611SW	30A 125V	HBL2613SW	HBL2610SW	L5-30R	2613	YELLOW
3 WIRE	HBL2621SW	30A 250V	HBL2623SW	HBL2620SW	L6-30R	2623	BLUE
	HBL2711SW	30A 125/250V	HBL2713SW	HBL2710SW	L14-30R	2713	ORANGE
4 WIRE	HBL2721SW	30A 250V 3Ø	HBL2723SW	HBL2720SW	L15-30R	2723	BLUE
	HBL2731SW	30A 480V 3Ø	HBL2733SW	HBL2730SW	L16-30R	2733	RED
	HBL2741SW	30A 600V 3Ø	HBL2743SW	HBL2740SW	L17-30R	2743	BLACK
5 WIRE	HBL2811SW	30A 120/208V 3ØY	HBL2813SW	HBL2810SW	L21-30R	2813	BLUE

¹ DOES NOT MATE WITH NEMA RECEPTACLES ² TYPES 4, 4X, 12 WHEN CONNECTED ³ TYPE I WHEN CONNECTED

U.L. LISTED, C.S.A. CERTIFIED

LIST OF PARTS

DESCRIPTION	MATERIAL	FINISH
PLUG HOUSING	PBTP	
CORD CLAMPS	PBTP	
SEALS	CBR	
CLOSURE CAP	CBR	
BLADE HOLDER	PA 66	
SCREWS	302 SS	

4	CONVERTED DIMS TO 3 PL DECIMAL AND ADDED TOL PER DCN #7772. AMZ	DB	8/18/00
3	REVISED VIEW TO SHOW TRI-DRIVE SCREW; REVISED SCREW CALLOUT NOTE TO INCLUDE ROBERTSON PER DCN 7553 RCM	DB	5/5/00
2	RELEASED FOR PRODUCTION; ADDED SCREW TYPE CALL-OUT; ADDED "CATALOG NO. AND" TO "RATING LABEL"; APPENDED TABLE PER DCN 43089. AMZ	JCA	11/1/94
1	RELEASED 2776-8	JCA	10/11/94
SYM	REVISIONS	APP	DATE

THE DESIGN AND DIMENSIONS OF THE PRODUCT SHOWN ON THIS DRAWING ARE SUBJECT TO CHANGE WITHOUT NOTICE

TITLE SAFETY-SHROUD™ TWIST-LOCK® PLUGS

TOLERANCES UNLESS OTHERWISE SPECIFIED	WIRING DEVICE-KELLEMS HUBBELL INCORPORATED BRIDGEPORT, CT	
FRACTIONS ± 1/64	DR. BY EEM	APP. BY JCA
DECIMALS ± .005	TR. BY	SCALE 1/2
ANGLES ± 2'	CHK'D BY JCA	DATE 10/5/94

DIMENSION SHEET FOR CAT. NO.

REPAIRABLE NON-REPAIRABLE

B
M-7318

4

TWIST-LOCK® Devices

2 Pole, 3 Wire Grounding

20 Ampere, 125, 250 Volts and 277 Volts AC

Watertight Safety-Shroud TWIST-LOCK® System



UL Listed, CSA
Certified to Type
4, 4X, & 12

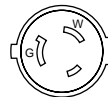
IP66
SUITABILITY



NEMA L5-20R
20A 125V
UL/CSA
1 HP



NEMA L6-20R
20A 250V
UL/CSA
2 HP*

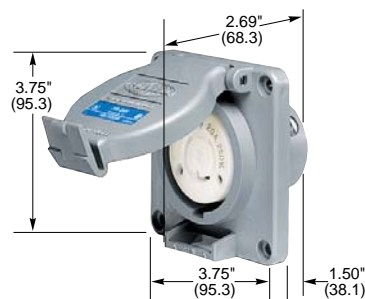


NEMA L7-20R
20A 277V AC
UL/CSA
2 HP

Watertight Safety-Shroud Receptacles, Back Wired

Description	Catalog Numbers		
Gray Valox® housing & flange.	HBL2310SW	HBL2320SW	HBL2330SW

Note: Receptacles only fit boxes listed on Page B-72.



HBL2320SW

Watertight Safety-Shroud Connector Bodies

Description	Catalog Numbers		
Black Valox housing, White Valox clamps.	HBL2313SW	HBL2323SW	HBL2333SW



NEMA L5-20P
20A 125V
UL/CSA
1 HP



NEMA L6-20P*
20A 250V
UL/CSA
2 HP*



NEMA L7-20P
20A 277V AC
UL/CSA
2 HP

Watertight Safety-Shroud Plugs

Description	Catalog Numbers		
Black Valox housing, White Valox clamps.	HBL2311SW	HBL2321SW	HBL2331SW



HBL2323SW



HBL2321SW

Watertight Safety-Shroud Flanged Inlets

Description	Catalog Numbers		
Gray Valox housing and flange.	HBL2315SW	HBL2325SW	HBL2335SW

Notes: Only receptacles and plugs 480V AC or less are HP rated.
*Also suitable for 208V.
HP ratings are AC only.
Cord grip range for plugs and connector bodies
.300"-.930" (9-24), #16-3 Type SJ to #8-3 Type S, SO.
For technical information see page B-84.



HBL2325SW

CIRCUIT-LOCK® Unfused Safety-Shroud Mechanical Interlock for Twist-Lock® Receptacles

Description	Catalog Number
Mechanical Interlock accommodates 20A and 30A watertight safety-shroud receptacles.	HBLMITL**

Note: **Not shown, see pages B-64 and B-65 for details.

®Valox is a registered trademark of General Electric Company.

